

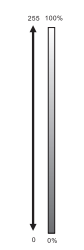
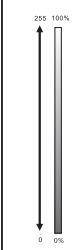
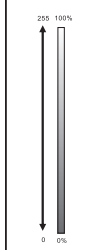
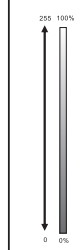

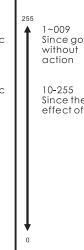
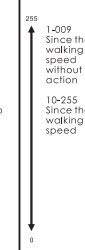
Green color

Choose the GL-- menu, press ENTER to confirm. Then use the UP or DOWN button to choose what you need to manually adjustable brightness (GL-- ~ G112). After setting up the address code you need press ENTER to confirm and save, press the MENU again puts forward the main MENU.

Red color

Choose the RL-- menu, press ENTER to confirm. Then use the UP or DOWN button to choose what you need to manually adjustable brightness (RL-- ~ R112). After setting up the address code you need press ENTER to confirm and save, press the MENU again puts forward the main MENU.

7CH Channel mode

1 CH	2 CH	3 CH	4 CH	5 CH	6 CH	7 CH
Dimmer	Red	Green	Blue	Strobe	without	color walking
				 <p>1-009 Stroboscopic without action 10-255 Stroboscopic from slow to fast</p>	 <p>1-009 Since go without action 10-255 Since the effect of go</p>	 <p>1-009 Since the walking speed without action 10-255 Since the walking speed</p>

Fixture Cleaning

The cleaning of internal must be carried out periodically to optimize light output. Cleaning frequency depends on the environment in which the fixture operates: damp, smoky or particularly dirty surrounding can cause greater accumulation of dirt on the fixture' s optics.

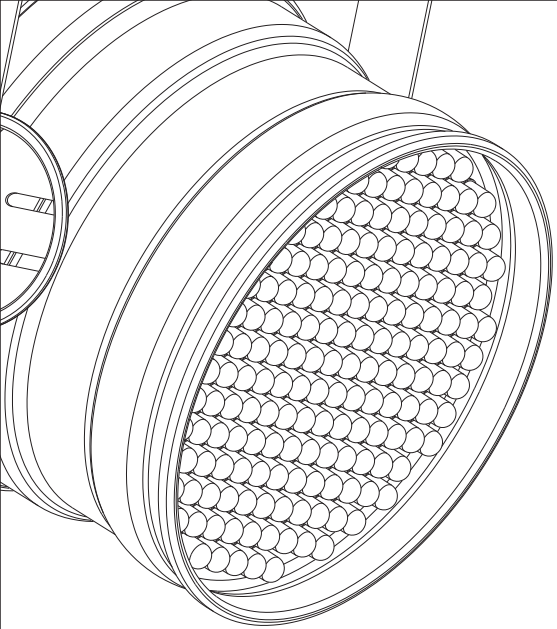
- Clean with soft cloth using normal glass cleaning fluid.
- Always dry the parts carefully.
- Clean the external optics at least every 20 days. Clean the internal optics at least every 30/60 days.

EKOPAR

LED PAR - 177 RGB LEDs

USER MANUAL

PLEASE READ THE INSTRUCTIONS CAREFULLY BEFORE USE



Compare Ekopar with traditional par light, Ekopar have more rich color effects, color mixing effect rich, color mixing effect of trichromatic LED of up to 16700000, the classification of LED par light: use is divided, One, It is a commercial lighting, also called the spotlight, mainly plays the role of illumination, high power LED Bulb, LED bulb usually use a single color, small size, are often used in shopping malls, hotels, guesthouses, square fountain etc.. Two, Stage lighting, mainly to lighting, color change, making the stage atmosphere, the size of the power LED has, LED Bulb color has red, green, blue, white. Often used for stage performances, wedding etiquette, exhibition and conference time.

DMX Mode

Choose the Addr menu, press ENTER to confirm. Then use the UP or DOWN key to select what you need to address code (A001 ~ A512). After setting up the address code you need press ENTER to confirm and save, press the MENU again puts forward the main MENU.

Soun1

Choose SOUF menu, press ENTER to confirm. Have set up your choice of Soun1 mode, press the MENU again puts forward the main MENU.

Soun2

Choose SOUF menu, press ENTER to confirm. Have set up your choice of Soun2 mode, press the MENU again puts forward the main MENU.

Auto

Choose the ASC - menu, press ENTER to confirm. Then use the UP or DOWN button to choose what you need from the walking speed (AS01 ~ AS12). After setting up the address code you need press ENTER to confirm and save, press the MENU again puts forward the main MENU.

Change Gradually

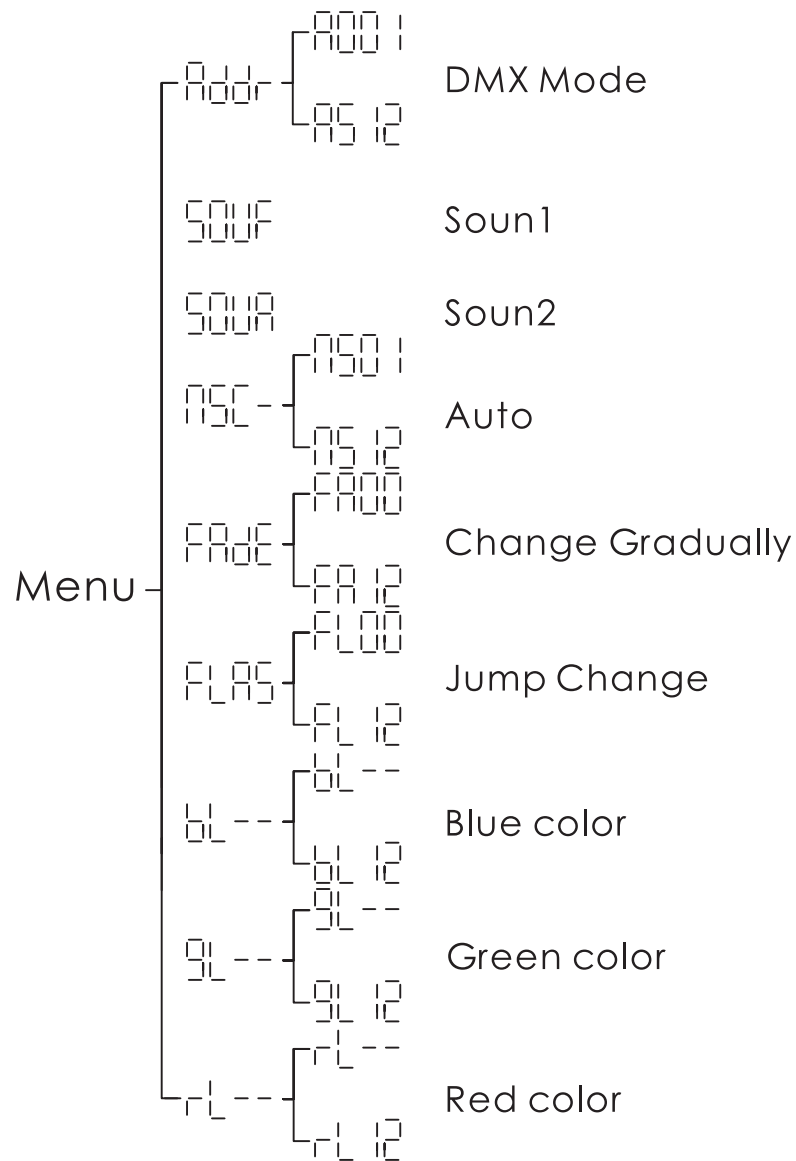
Select FAdE menu, press ENTER to confirm. Then use the UP or DOWN button to choose what you need to ramp speed (FA00 ~ Fa12). After setting up the address code you need press ENTER to confirm and save, press the MENU again puts forward the main MENU.

Jump Change

Choose FLAS menu, press ENTER to confirm. Then use the UP or DOWN button to choose what you need to jump speed (FL00 ~ F112). After setting up the address code you need press ENTER to confirm and save, press the MENU again puts forward the main MENU.

Blue color

Choose the BL-- menu, press ENTER to confirm. Then use the UP or DOWN button to choose what you need to manually adjustable brightness (BL-- ~ B112). After setting up the address code you need press ENTER to confirm and save, press the MENU again puts forward the main MENU.



WARNING

Please read the instructions carefully which includes important information about the installation, operation and maintenance.

- Please keep this User Guide for future consultation. If you sell the unit to another user, be sure that they also receive this instruction booklet.
- All fixtures are intact from the manufacturer, please operate follow up the user manual, artificial fault are not under guarantee repair.
- Unpack and check carefully that there is no transportation damage before using the unit.
- The unit is for indoor use only. Use only in a dry location.
- Do install and operate by operator.
- Use safety chain when fixes the unit. Don't handle the unit by taking its head only, but always by taking its base.
- The unit must be installed in a location with adequate ventilation, at least 50cm from adjacent surfaces.
- Be sure that no ventilation slots are blocked, otherwise the unit will be overheated.
- Before operating, ensure that the voltage and frequency of power supply match the power requirements of the unit.
- It's important to ground the yellow/green conductor to earth in order to avoid electric shock.
- Maximum ambient temperature TA : 40°C. Don't operate it where the temperature is higher than this.
- Don't connect the device to any dimmer pack.
- First run, there will be smoke or smells, and all disappearing a few minutes later.
- Make sure there are no flammable materials close to the unit while operating, as it is fire hazard.
- Look over power wires carefully, replace immediately if there is any damage.
- Never run on for a long time lest shortening lifespan.
Avoid any inflammable liquids, water or metal objects entering the unit.
- Once it happen, cut off the mains power immediately.
- Do not operate in dirty and dusty environment, also cleaning fixtures regularly.

- Do not allow children to operate the fixture.
- Do not touch any wire during operation as there might be a hazard of electric shock.
- Avoid power wires together around other cables.
- Disconnect mains power before fuse/lamp replacement or servicing.
- Replace fuse only with the same type.
- In the event of serious operating problem, stop using the unit immediately.
- Never turn on and off the unit time after time.
- The housing, the lenses, or the ultraviolet filter must be replaced if they are visibly damaged.
- Do not open the unit as there are no user serviceable parts inside.
- Never try to repair the unit by yourself. Repairs carried out by unskilled people can lead to damage or malfunction. Please contact the nearest authorized technical assistance center.
- Disconnect the mains power if the fixture is not used for a long time.
- Do use original packing materials once transport it again.
- Do not look directly at the LED light beam while the fixture is on.

For power supply, do not connect in series much more than 7 units, use another mains supply for next 7 units.

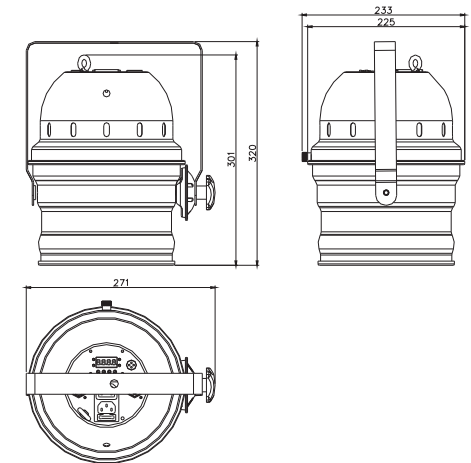
Installation

The unit should be mounted via its screw holes on the bracket. Always ensure that the unit is firmly fixed to avoid vibration and slipping while operating. Always ensure that the structure to which you are attaching the unit is secure and is able to support a weight of 10 times of the unit's weight. Also always use a safety cable that can hold 12 times of the weight of the unit when installing the fixture.

The equipment must be fixed by professionals. And it must be fixed at a place where is out of the touch of people and has no one pass by or under it.

Technical Specifications

- three kinds of operation mode: DMX、Master & Slave、 sound control
- DMX Channel mode: 7CH
- The built-in program control light in the master and slave mode by voice control.
- 0~100% smooth dimming function and effect of each variety of strobe
- suitable for disco, bar, mobile DJ etc.
- Voltage: AC 100~240V, 50/60Hz
- Power consumption: 18W
- LEDs: 177x**10MM**RGB LEDs
- Net weight: 1kgs
- Measure: 260*260*360mm



How to Set the Fixture

- 1.The indicating light
- 2.Function display: display menu and the selected function
- 3.Menu button
- 4.Microphone
- 5.DMX signal output
- 6.Power supply socket
- 7.Insurance rope
- 8.DMX signal input

